

Product Recycling Information

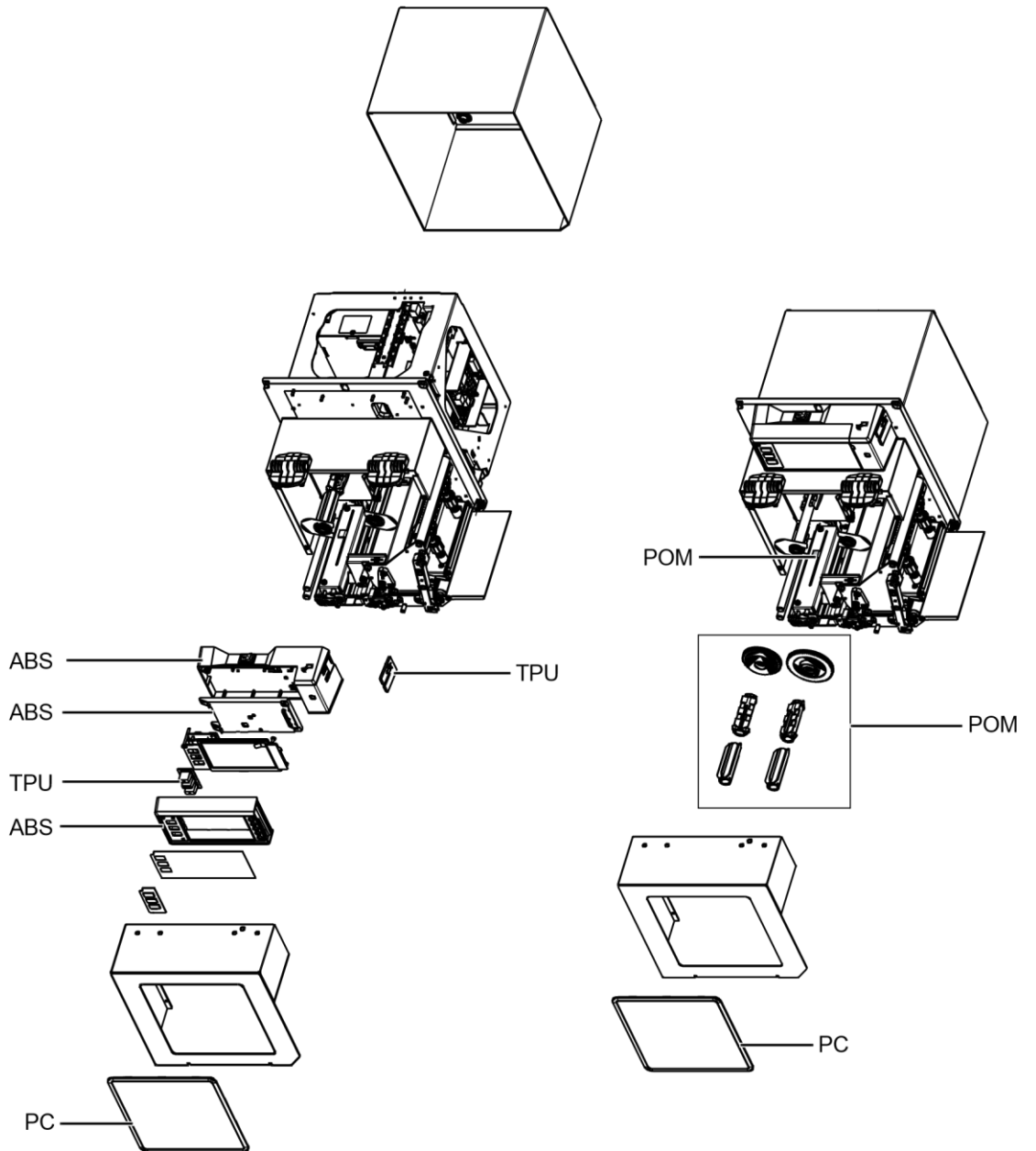
September 2022



Product Producer	Zebra Technologies Corporation 3 Overlook Point Lincolnshire, IL 60069 USA T: +1 847-913-8766 Toll-Free: +1 877-208-7756 F: +1 847-913-8766
Product Description	ZE511/ZE521
Hazardous Substances and Preparations	This product may contain the following substances: <ul style="list-style-type: none"> • Hexavalent Chromium may be present in trace amounts in the metal fasteners, brackets, and other metal structural components. • Lead may be present in the PCBAs used in this product.
Batteries	Certain options of this product may contain a lithium-ion (Li-Ion) type battery located on the main control PCBA. This battery must be disposed of in accordance with local regulations. Information on the assessment of the packaging scheme for this or other Zebra products can be found at: http://www.zebra.com/environment
Packing	The packaging materials used for this product do not contain any of the banned materials listed in the EU packaging directive.
Recycling Information	Zebra Technologies offers product recycling programs in certain geographic areas. To determine if a program is available for this product in your area, please refer to our web site at: http://www.zebra.com/environment This product is designed with the following features to enhance recycling: <ul style="list-style-type: none"> • Glues and adhesives have been eliminated from product construction where feasible. • Use of common fasteners and/or snap-in features. • Plastic parts weighing more than 25g are marked according to ISO 11469 standards except where impractical. Exceptions are noted in the following drawing.

This document was compiled from information available at the time of publication and is issued only as an information source. No warranty as to accuracy or completeness is expressed or implied. This document is subject to change without notice.

ZE511/ZE521 Front

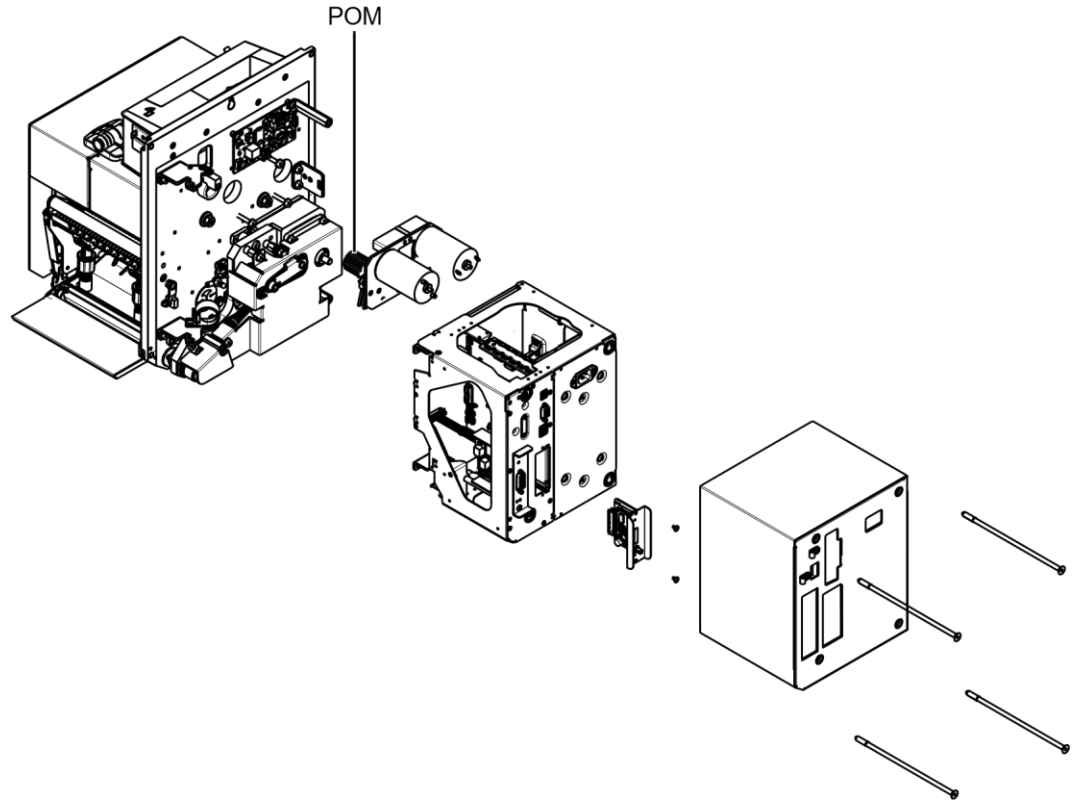


This document was compiled from information available at the time of publication and is issued only as an information source. No warranty as to accuracy or completeness is expressed or implied. This document is subject to change without notice.

ZEBRA and the stylized Zebra head are trademarks of Zebra Technologies Corp., registered in many jurisdictions worldwide. All other trademarks are the property of their respective owners. © 2021 Zebra Technologies Corp. and/or its affiliates. All rights reserved. | www.zebra.com

P1129995

ZE511/ZE521 Back



This document was compiled from information available at the time of publication and is issued only as an information source. No warranty as to accuracy or completeness is expressed or implied. This document is subject to change without notice.

ZEBRA and the stylized Zebra head are trademarks of Zebra Technologies Corp., registered in many jurisdictions worldwide. All other trademarks are the property of their respective owners. © 2021 Zebra Technologies Corp. and/or its affiliates. All rights reserved. | www.zebra.com

P1129995